

FIXMAN

P R O F E S S I O N A L

#49051

Owner's Manual

1/3 HP 2 Gallon Twin-Tank Air Compressor



Warning to Reduce The Risk of Injury,
User Must Read and Understand Instruction Manual.

1 Year Limited Warranty



Air Compressor

Table of Contents

Topic	Page
Safety Guidelines-Definitions	4
Hazard Warnings	5
Air Compressor	15
Precautions	15
Basic Air Compressor Components	16
Assembling the Air Compressor	16
Compressor Controls	18
Electrical Power Requirements	19
Breaking In The Pump	21
Operating Instructions	21
Maintenance	23
Storage	24
Service	24
Troubleshooting	25
Glossary Terms	29
Parts List	31

Air Compressor



Warning! Read and Understand All Safety Precautions In This Manual Before Operating. Failure To Comply With Instructions In This Manual Could Result In Personal Injury, Property Damage, And/ Or Voiding Of Your Warranty. Trademark Industries Inc. Will Not Be Liable For Any Damage Because Of Failure To Follow These Instructions.

Air Compressor

Prior to installation and usage, thoroughly inspect air compressor for damages.

- Check tank, compressor, compressor motor, and pump for any signs of damage or corrosion.
- Check all screws, bolts, nuts and fasteners, confirm that they are secure.
- Confirm that all fittings, tank petcock, hardware and paint, are free from rust and corrosion.
- Confirm that all compressor settings are correct prior to start up and usage.

Air Tool Inspection

Prior to connecting and using compressor, thoroughly inspect each air tool for damage.

- Check entire tool assembly for any signs of damage or corrosion.
- Check all assembly screws, bolts, nuts and fasteners, confirm that they are secure.
- Confirm that all fittings, bits and hardware are in good condition.
- Confirm that tool settings are correct prior to connection and usage.

Air Compressor

SAFETY GUIDELINES-DEFINITIONS

This manual contains important information that you need to know and understand in order to protect **YOUR SAFETY** and to **PREVENT EQUIPMENT PROBLEMS**. The following symbols help you recognize this information. Please read the manual and pay attention to these sections.



WARNING!

WARNINGS INDICATE A CERTAINTY OR STRONG POSSIBILITY OF PERSONAL INJURY OR DEATH IF INSTRUCTIONS ARE NOT FOLLOWED.



CAUTION

CAUTIONS INDICATE A POSSIBILITY OF EQUIPMENT DAMAGE IF INSTRUCTIONS ARE NOT FOLLOWED.



NOTE

NOTES GIVE HELPFUL INFORMATION.



WARNING! IMPROPER OPERATION OR MAINTENANCE OF THIS PRODUCT COULD RESULT IN SERIOUS INJURY AND PROPERTY DAMAGE. READ AND UNDERSTAND ALL WARNINGS AND OPERATING INSTRUCTIONS BEFORE USING THIS EQUIPMENT. WHEN USING AIR TOOLS, BASIC SAFETY PRECAUTIONS SHOULD ALWAYS BE FOLLOWED TO REDUCE THE RISK OF PERSONAL INJURY.

Save These Important Safety Instructions!

Read And Understand All Of These Safety Instructions. Be Sure To Retain Them For Future Use.

OWNER'S MANUAL

Hazard Warnings

Dust



WARNING! DUST FROM POWER SANDING, SAWING, GRINDING, DRILLING, AND OTHER CONSTRUCTION ACTIVITIES CONTAIN CHEMICALS KNOWN TO CAUSE CANCER, BIRTH DEFECTS OR OTHER REPRODUCTIVE HARM.

These chemicals may include (but are not limited to) the following:

- Lead from lead-based paints
- Crystalline silica from bricks, cement and other masonry products
- Arsenic and chromium from chemically-treated lumber

The risk from these exposures vary, depending on how often you do this type of work. To reduce your exposure to these chemicals: Work in a well-ventilated area, and work with approved safety equipment. Always wear approved properly fitted face masks or respirators when using such tools. Always follow basic safety precautions when using air tools to reduce the risk of personal injury.

Bursting:

Rust can weaken the tank. Drain the condensed water from the tank after each use to reduce rusting. If a leak is detected in the tank, replace the tank immediately. Do not weld, drill or modify the air tank of this compressor. Welding or modifications on the air compressor tank can severely impair tank strength and cause an extremely hazardous condition. Welding or modifying the tank in any manner will void the warranty.

Check the manufacturer's maximum pressure rating for air tools and accessories. Compressor outlet pressure must be regulated so not to exceed the maximum pressure rating of the tool. Relieve all pressure in the hose before attaching or removing accessories.

Do not tamper with the pressure switch or relief valve for any reason. Doing so voids all warranties. They have been preset at the factory for the maximum pressure of this unit. Personal injury and/or property damage may result if the pressure switch or the relief valve are tampered with.

Do not use plastic or PVC pipe for compressed air. Use only galvanized steel pipe & fittings for compressed air distribution lines.

OWNER'S MANUAL

Hazard Warnings (cont'd)

RISK OF EYE OR HEAD INJURY

What could happen:

- Air powered equipment and power tools are capable of propelling materials such as fasteners, metal chips, saw dust, and other debris at high speed which could result in serious eye injury.
- Compressed air can be hazardous. The air stream can cause injury to soft tissue areas such as eyes, ears, etc. Particles or objects propelled by the stream can cause injury.
- Tool attachments can become loose or break and fly apart, propelling particles at the operator and others in the work area.

How to prevent it:

- Always wear ANSI approved Z87.1 safety glasses with side shields.
- Never leave operating tool unattended. Disconnect air hose when tool is not in use.
- For additional protection, use an approved face shield in addition to safety glasses.
- Make sure that any attachments are securely assembled.
- Never point any nozzle or sprayer toward a person or any part of the body.
- Equipment can cause serious injury if the spray penetrates the skin.

OWNER'S MANUAL

Hazard Warnings (cont'd)

RISK OF FIRE OR EXPLOSION



What could happen:

- Abrasive tools such as sanders and grinders; rotating tools such as drills and impact tools such as nailers, staples, wrenches, hammers and reciprocating saws are capable of generating sparks which could result in ignition of flammable materials.

- It is normal for the compressor motor and pressure switch to produce sparks while operating.

If sparks come into contact with vapors from gasoline or other solvents, they may ignite, causing a fire or explosion.

- Exceeding the maximum pressure rating of tools or accessories could cause an explosion resulting in serious injury.

How to prevent it:

- Never operate tools near flammable substances such as gasoline, cleaning solvents, etc.

- Work in a clean, well-ventilated area free of combustible materials.

- Never use oxygen, carbon dioxide or other bottled gases as a power source for air tools.

- Use compressed air regulated to maximum pressure at or below the rated pressure of any attachments.

- Never connect to an air source that is capable of exceeding 90psi.

- Always verify prior to using the tool that the air source has been adjusted to the rated air pressure range.

- Never spray flammable liquids in a confined area. Do not spray where sparks or flames are present.

- Do not smoke while spraying.

- Keep compressor as far from spray area as possible.

OWNER'S MANUAL

Hazard Warnings (cont'd)

RISK OF HEARING LOSS



What could happen:

- Long term exposure to noise produced from the operation of air tools can lead to permanent hearing loss.

How to prevent it:

- Always wear ANSI S3.19 hearing protection when using a compressor.

RISK OF BREATHING/INHALATION HAZARD

What could happen:

- Abrasive tools such as grinders, sanders and cut-off tools generate dust and abrasive materials which can be harmful to human lungs and respiratory system.
- Some materials such as adhesives and tar contain chemicals whose vapors could cause respiratory damage. Read all instructions to be sure that your respirator mask will protect you.
- Always work in a clean, dry, well-ventilated area.
- Never directly inhale compressed air produced by a compressor. It is not suitable for breathing purposes.
- Be certain to read all labels and follow the safety instructions when you are spraying paints or toxic materials.

How to prevent it:

- Always wear ANSI S3.19 hearing protection when using a compressor.

OWNER'S MANUAL

Hazard Warnings (cont'd)

RISK OF INJURY

What could happen:

- Tools left unattended or with the air hose attached can be activated by unauthorized persons leading to their injury and/or injury to others.
- Air tools can propel fasteners or other materials throughout the work area.
- A wrench or key that is left attached to a rotating part of the tool increases the risk of personal injury.
- Using inflator nozzles for duster applications can cause serious injury.
- Air tools can become activated by accident during maintenance or tool changes.
- Air tools can cause the work piece to move upon contact leading to injury.
- Loss of control of the tool can lead to injury and/or injury to others.
- Poor quality, improper or damaged tools such as grinding wheels, chisels, sockets, drills, nailers, staples, etc., can fly apart during operation, propelling particles throughout the work area causing serious injury.
- Fasteners could ricochet or be propelled causing serious injury or property damage.
- There is a risk of bursting if the tool is damaged.
- The compressor unit starts automatically. Serious injury could occur from contact with moving parts.

OWNER'S MANUAL

Hazard Warnings (cont'd)

RISK OF INJURY (cont'd)

How to prevent it:

- Remove air hose when tool is not in use and store tool in secure location away from reach of children and/or untrained users.
- Use only parts, fasteners and accessories recommended by the manufacturer.
- Keep work area clean and free of clutter. Keep children and others away from area during operation of the tool.
- Keep work area well lit.
- Remove adjusting keys and wrenches before turning the tool on.
- DO NOT use inflator nozzles for duster applications.
- Remove air hose to lubricate or add grinding attachments, sanding discs, drills, etc.
- Never carry the tool by the hose.
- Avoid unintentional starting.
- Repair servicing should be done only by an authorized service representative.
- Never operate tool while under the influence of drugs or alcohol.
- Don't overreach. Keep proper footing and balance at all times.
- Keep handles dry, clean and free from oil and grease.
- Stay alert. Watch what you are doing. Use common sense. Do not operate tool when you are tired.
- Never use tools which have been dropped, impacted or damaged.

OWNER'S MANUAL

Hazard Warnings (cont'd)

RISK OF INJURY (cont'd)

How to prevent it:

- Use only impact grade sockets on an impact wrench.
- Do not apply excessive force to the tool. Let the tool perform the work.
- Never point discharge of tool at self or others.
- Do not pull trigger unless tool contact safety device is against work surface.
- Never attempt to drive fasteners into hard surfaces such as steel, concrete or tile when using air tools.
- Use only accessories identified by the manufacturer to be used with specific tools.
- Maintain the tool with care.
- Keep a cutting tool sharp and clean. A properly maintained tool with sharp cutting edges reduces the risk of binding and is easier to control.
- Check for misalignment of binding or moving parts, breakage of parts and any other condition that affects the tool's operation. If damaged, have the tool serviced before using.
- Use of an accessory not intended for use with the specific tools increases the risk of injury to persons.
- Always shut off the compressor, remove the plug from the outlet, and bleed all pressure from the system before servicing the compressor or when the compressor is not in use.
- Do not operate the unit with the shroud removed.

OWNER'S MANUAL

Hazard Warnings (cont'd)

RISK OF ELECTRIC SHOCK

What could happen:

- Using air tools to attach electrical wiring can result in electrocution or death.
- Improper electrical connections can result in fires, electrocution, or death.
- If the tool is not provided with an insulated gripping surface, contact with a "live" wire makes exposed metal tool parts "live", resulting in possible electrocution or death.
- Fasteners coming in contact with hidden electrical wiring could cause electrocution or death.

How to prevent it:

- Never attach electrical wiring with energized tools.
- Avoid body contact with grounded surfaces such as pipes, radiators, ranges and refrigerators.

There is an increased risk of electric shock if your body is grounded.

- Thoroughly investigate the work piece for possible hidden wiring before performing work.
- A licensed electrician in accordance with all local and national codes must install all wiring.
- Never use an electric air compressor outdoors when it is raining or on a wet surface, as it may cause an electric shock.

OWNER'S MANUAL

Hazard Warnings (cont'd)

RISK OF ENTANGLEMENT

What could happen:

- Tools containing moving elements or driving other moving tools (grinding wheels, sockets, sanding discs, etc.) can become entangled in hair, clothing, jewelry and other loose objects, resulting in injury.

How to prevent it:

- Never wear loose fitting clothes or apparel that contain loose straps, ties, etc. which could become entangled in moving parts.
- Remove any jewelry, watches, identifications, necklaces, etc. which might become caught by the tool.
- Keep hands away from moving parts. Tie up or cover long hair.

OWNER'S MANUAL

Hazard Warnings (cont'd)

RISK OF CUT OR BURNS

What could happen:

- Tools which cut, shear, drill, staple, punch, chisel, etc. are capable of causing serious injury.
- The pump and manifold generate high temperatures.

How to prevent it:

- Keep the working part of the tool away from hands and body.
- Do not touch the pump, manifold or transfer tube while the pump is running. Allow them to cool before handling or servicing.
- Keep children away from the compressor at all times.

OWNER'S MANUAL

Compressor Specifications

Model Number	49051
Horse Power	1/3
Tank Capacity (Gallons/Litres)	2 Gallon
Voltage/Amps/Phase	120/2.3/1
Kick-In Pressure	75
Kick-Out Pressure	100



WARNING! The power cord on this product contains lead, a chemical, known to cause cancer and birth defects or other reproductive harm. Wash hands after handling.

Precautions

- Drain the moisture from the tank daily to help prevent corrosion.
- Pull the pressure relief valve ring daily to ensure proper function and clear possible obstructions.
- To provide proper ventilation for cooling, the compressor must be kept at least 12 inches (31cm) from the nearest wall, in a well-ventilated area.
- Fasten the compressor securely and release tank pressure before transporting.
- Protect the air hose and electronic cord from damage and puncture. Inspect them weekly for weak or worn spots, and replace if necessary.
- To reduce the risk of electric shock, do not expose to rain. Store indoors.
- Never operate the compressor if the power cord or plug are damaged. Take the equipment to nearest authorized service centre and a specialist technician will replace it.

OWNER'S MANUAL

Compressor (cont'd)

Basic Air Compressor Components

Oil-less air compressor are factory lubricated for life and do not require any oil.

The basic components of the air compressor the electric motor, pump, pressure switch, and tank.

The electric motor (see A) powers the pump.

The electric motor is equipped with an overload protector and an automatic reset. If the motor becomes overheated, the overload protector will shut it down to prevent damage to the motor.

When the motor sufficiently cools, it will automatically restart.

The pump (see B) compresses the air and discharges it into the tank.

The tank (see C) stores the compressed air.

The pressure switch (located internally) shuts down the motor and relieves the air pressure in the pump and transfer tube when the air pressure in the tank reaches the kick-out pressure, the pressure switch restarts the motor automatically, without warning, and the pump resumes compressing air.



OWNER'S MANUAL

Compressor (cont'd)

Assembling the Air Compressor

Unpack the air compressor. Inspect the unit for damage. If the unit has been damaged in transit, contact the carrier and complete a damage claim. Do this immediately because there are time limitation to damage claims. The carton should contain:

- Air Compressor
- Manual
- Handle
- Accessories

1) Attache handle and screw in properly. In some cases the handle might already be attached just tighten the screws.



OWNER'S MANUAL

Compressor (cont'd)

Compressor Controls

Power Switch: This switch turns the compressor power ON and OFF.

Pressure Relieve Valve: If the pressure switch does not shut down the motor when pressure reaches the preset level, this valve will pop open automatically to prevent over pressurization. To operate manually, pull the ring on the valve to relieve air pressure in the tank.

Tank Pressure Gauge: This gauge measures the pressure level of the air stored in the tank. It is not adjustable by the operator and does not indicate line pressure.

Air Pressure Regulator: This air pressure regulator enables you to adjust line pressure to the tool you are using.



WARNING! NEVER EXCEED THE MAXIMUM WORKING PRESSURE OF THE TOOL. TURN THE KNOB CLOCKWISE TO INCREASE PRESSURE, AND COUNTER CLOCKWISE TO DECREASE PRESSURE.



OWNER'S MANUAL

Compressor (cont'd)

Electrical Power Requirements

Electrical Wiring

Refer to the air compressor's serial label for the unit's voltage and amperage requirements. Use a dedicated circuit. For best performance and reliable starting, the air compressor must be plugged into a dedicated circuit, as close as possible to the fuse box or circuit breaker. The compressor will use the full capacity of a typical 15 amp household circuit. If other devices are on the same circuit, the compressor may fail to start. Low voltage or an overloaded circuit can result in sluggish starting that causes the motor overload protection system circuit breaker to trip, especially in cold conditions.



Note: A circuit breaker is recommended. If the air compressor is connected to a circuit protected by a fuse, use dual element time delay fuses (Buss Fusetron type "1" only).



Note: Avoid use of extension cords. If using an extension cord is necessary, be sure to use an extension with the correct specifications. For optimum performance, plug the compressor power cord directly into a grounded wall socket. Do not use an extension cord unless absolutely necessary. Instead, use a longer air hose to reach the area where the air is needed. If use of an extension cord cannot be avoided, the cord should be no longer than 100 feet and be a minimum wire size of 14 gauge (AWG).

OWNER'S MANUAL

Compressor (cont'd)

Electrical Power Requirements (cont'd)

Extension Cord

Use the chart on the right for the proper extension cord length.

Use only a 3-wire extension cord that has a 3-blade grounding plug and a 3-slot receptacle that will accept the plug of the product.

Make sure your extension cord is in good condition.

An undersized cord will cause a drop in line voltage as well as a loss of power and overheating.

The smaller the gauge number, the heavier the cord.

AMP RATING (120 Volts)	LENGTH OF CORD IN FEET			
	25'	50'	100'	150'
10-12	16	14	10	8
12-14	16	12	10	8
14-16	16	12	10	8
16-18	14	12	8	8
18-20	14	12	8	8

Grounding Instructions

This product is equipped with a cord having a grounding wire and an appropriate grounding plug. The plug must be plugged into an outlet that is properly installed and grounded in accordance with all local codes and ordinance.



WARNING! IMPROPER INSTALLATION OF THE GROUNDING PLUG CAN RESULT IN A RISK OF ELECTRIC SHOCK. IF REPAIR OR REPLACEMENT OF THE CORD OR PLUG IS NECESSARY, DO NOT CONNECT THE GROUNDING WIRE TO FLAT BLADE TERMINAL.

THE WIRE INSULATION HAVING AN OUTER SURFACE THAT IS GREEN WITH, OR WITHOUT, YELLOW STRIPES IS THE GROUNDING WIRE.

This product is for use on a nominal 110 volt circuit. An outlet having the same configuration as the plug. No adapter should be used with this product. Do not alter the plug to fit into a non-Ground or 2-slot receptacle.

OWNER'S MANUAL

Compressor (cont'd)

BRAKING IN THE PUMP

1. Turn the switch to the OFF position.
2. Open the petcock. Turn counterclockwise (loosen).
3. Plug in the power switch to the ON position.
4. The compressor will start.

ALLOW THE COMPRESSOR TO RUN FOR 15 MINUTES, TO BREAK IN THE INTERNAL PARTS.



CAUTION: AFTER ABOUT 15 MINUTES, IF THE UNIT DOES NOT OPERATE PROPERLY, SHUT DOWN IMMEDIATELY.

5. After about 15 minutes, turn the power switch to the OFF position.
6. Close the petcock. Turn in the clockwise direction.
7. Turn the power switch to the ON position. The compressor will start and fill the tank to the kick-out pressure and stop.



Note: As compressed air is used, the pressure switch will restart the motor automatically.



Note: During the initial break-in cycle, there will be a slight electrical smell as the motor brushes seat. This is normal for universal motors and will last for about 5 minutes.

OPERATING INSTRUCTIONS

Daily Startup

1. Turn the power switch to the OFF position.
2. Close the tank petcock. Turn in the clockwise direction.
3. Plug in the power cord.
4. Turn the power switch to the ON position.

OWNER'S MANUAL

Compressor (cont'd)

OPERATING INSTRUCTIONS



WARNING! HIGH TEMPERATURES ARE GENERATED BY THE ELECTRICAL MOTOR AND THE PUMP. TO PREVENT BURNS OR OTHER INJURIES, DO NOT TOUCH THE COMPRESSOR WHILE IT IS RUNNING. ALLOW IT TO COOL BEFORE HANDLING OR SERVICING. KEEP CHILDREN AWAY FROM THE COMPRESSOR AT ALL TIMES.



WARNING! WHEN ADJUSTING FROM A HIGHER TO A LOWER PRESSURE, TURN THE KNOB COUNTERCLOCKWISE TO REACH THE DESIRED PRESSURE. DO NOT EXCEED OPERATING PRESSURE OF THE TOOL OR ACCESSORY BEING USED.

5. Adjust the regulator to the working pressure of the tool. (never exceed 90 PSI)

Shut Down

1. Turn the power switch to the OFF position.
2. Unplug the power cord.
3. Reduce pressure in the tank thorough the outlet hose. You can also pull the relief valve ring and keep it open in the tank.



WARNING! ESCAPING AIR AND MOISTURE CAN PROPEL DEBRIS THAT MAY CAUSE EYE INJURY. WEAR SAFETY GOGGLES WHEN OPENING PETCOCK.

4. Tip the compressor (if necessary for your model) so the petcock is at the bottom of the tank(s). Then open the petcock to allow moisture to drain from the tank.

OWNER'S MANUAL

Compressor (cont'd) MAINTENANCE



WARNING! TO AVOID PERSONAL INJURY, ALWAYS SHUT OFF AND UNPLUG THE COMPRESSOR AND RELIEVE ALL AIR PRESSURE FROM THE SYSTEM BEFORE PERFORMING ANY SERVICE ON THE AIR COMPRESSOR.

Relieve the air pressure in the system and open the petcock on the bottom of the tank to drain.



Note: In cold climates, drain the tank after each use to reduce problems with freezing of water condensation.

Testing for Leaks

Check that all connections are right. A small leak in any of the hoses or pipe connections will substantially reduce the performance of your air compressor. If you suspect a leak, spray a small amount of soapy water with spray bottle. If bubbles appear, repair or replace the faulty component. Do not over tighten any connections.

Storage

Before storing the compressor for a prolonged period, use an air blow gun to clean all dust and debris from the STORAGE compressor. Disconnect the power cord and coil it up. Pull the pressure relief valve to release all pressure from the tank. Cover the entire unit to protect it from moisture and dust.

Servicing

Perform the following maintenance at the intervals indicated below:

- Operate the pressure relief valve: Daily
- Drain air from tank daily

OWNER'S MANUAL

Compressor (cont'd)

TROUBLE SHOOTING



Note: Trouble shooting problems may have similar causes and solutions.

- Tank petcock is open Close pet coke
Low pressure, not enough air or compressor does not stop.
- Prolonged excessive of air
Decrease amount of air used.
- Compressor not large enough for job
Check air requirement of accessory. If it is higher than CFM and pressure by compressor, you need a large compressor. Most accessories are rated at 25% of actual CFM while running continuously.
- Restricted check valve
Remove and clean or replace.
- Hole in air hose
Check and replace if necessary.
- Tank leaks
Replace tank



WARNING! IMMEDIATELY REPLACE TANK. DO NOT ATTEMPT TO REPAIR.

- Blown seals
Replace any faulty seals.
Replace worn parts and reassemble with new seals.

OWNER'S MANUAL

Compressor (cont'd)

TROUBLE SHOOTING (cont'd)

Excessive starting and stopping, while not in use

- Fittings leak

Check fittings with soapy water. Tighten or reseal leaking fittings. DO NOT OVERTIGHTEN.

Replace worn parts and reassemble with new seals.

Replace any regulator internal parts.

- Regulated pressure gauge reading drops when air accessory is being used.

This is normal in some applications.

- Compressor not large enough

If pressure drops to low, adjust regulator while accessory is used.

Check air requirement of accessory, it may be higher than CFM pressure supplied by compressor.

Most accessories are rated at 25% of actual CFM while running continuously.

- Circuit breaker trips (fuse blows) too often

Low voltage, consult electrician.

- Excessive wire length

Furnish adequate power. If using extension cord, try again without it.

- Restricted air passages

Contact authorized service centre.

- Back pressure in pump head

Replace check valve.

Replace pressure switch bleeder valve.

OWNER'S MANUAL

Compressor (cont'd)

TROUBLE SHOOTING (cont'd)

Overheating

- Poor ventilation
Relocate compressor to an area with cool, dry and well-circulated air.
- Dirty cooling surface
Clean all cooling surfaces of pump thoroughly.
- Leaking valve
Replace worn parts and reassemble with new seals.

Motor stalls

- Low voltage
Furnish adequate power.
- Defective pressure switch bleeder valve
Replace pressure switch bleeder valve.

Pressure relief valve opens

- Tank pressure exceeded normal operating pressure
Replace pressure switch

Motor will not run

- Tank pressure exceeds present pressure switch limit
Motor will start automatically when tank pressure drops below kick-in pressure tank.
- Motor overload protection has tripped
Let motor cool off and overload switch will automatically reset. This may take several minutes.

OWNER'S MANUAL

Compressor (cont'd)

TROUBLE SHOOTING (cont'd)

Motor will not run (cont'd)

- Fuse blown or circuit breaker tripped
Replace blown fuse or reset circuit breaker. Do not use fuse or circuit breaker with high rating than specified for your ranch circuit.
Check for low voltage and proper extension cord size.
Disconnect other applications from circuit. Operate compressor on a dedicated circuit.
- Check valve stuck open
Remove and clean or replace
- If bleeder valve does not open
Replace bleeder valve.
- Wrong wire gauge in extension cord
Check for proper gauge and extension cord length.
- Paint spray on internal motor parts
Bring to service centre for service. Do not operate compressor in the paint spray area.
- Possible defective motor
Bring to service centre for inspection and repair.

OWNER'S MANUAL

Compressor (cont'd)

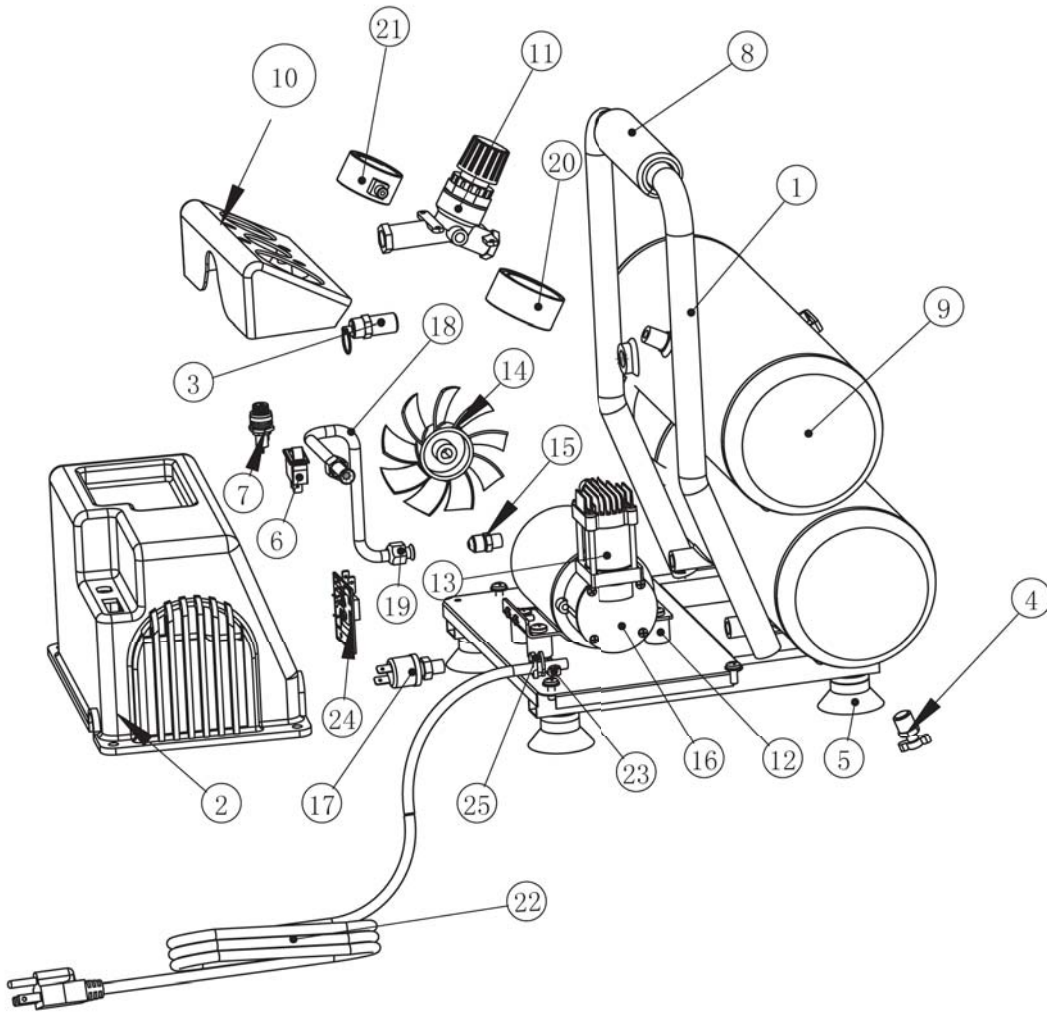
TROUBLE SHOOTING (cont'd)

Glossary of Terms

- CFM: Cubic feet per minute; a unit of measure of air flows.
- PSI: Pound per square inch; a unit of measure of air pressure.
- Kick-in pressure: Factory set low pressure point that starts the compressor to depressurize the tank to a higher pressure.
- Kick-out pressure: Factory set high pressure point that stops the compressor from increasing the pressure in the tank above a certain level.
- Well-ventilated: A means of providing fresh air in exchange for dangerous exhaust or vapors.
- ASME (American Society of Mechanical Engineers): Indicates that the components are manufactured, tested and inspected for the exclusive use of the air compressor.
- CSA (Canadian Standards Association): Indicates that the products that have this marking have been manufactured, tested and inspected to standards that are set by CSA. These products also confirm to U.L standard 1450.

OWNER'S MANUAL

Parts List



1	Handle	1	14	Fan	1
2	Cover	1	15	One Way Valve	2
3	Safety Valve	1	16	Pump Cover	1
4	Drain Valve	1	17	Pressure Switch	1
5	Rubber Feet	4	18	Air Pipe	1
6	ON/OFF Switch	1	19	Nut 08	2
7	Fuse	1	20	Pressure Valve	1
8	Handle Grip	1	21	Pressure Valve	1
9	Tank	1	22	Power Cord	1
10	Control Panel	1	23	Wire Clamp	1
11	Regulator	1	24	Control Board	1
12	Rubber Cushion	1	25	Wire Clamp	1
13	Pump	1			

FIXMAN
P R O F E S S I O N A L

MANUEL D'UTILISATION
**Compresseur d'air à réservoir
double 2 gallons 1/3 HP**

#49051



Avertissement : pour réduire le risque de blessure,
l'utilisateur doit lire et comprendre le manuel d'instruction.

Garantie Limitée De 1 An



Intertek
4002133

Compresseur D'air

Table Des Matières

Sujet	Page
Directives de sécurité - Définitions	4
Avertissement de risque	5
Compresseur d'air	15
Précautions	15
Composantes de base du compresseur	16
Assemblage du compresseur d'air	16
Contrôles du compresseur	18
Exigences d'alimentation	19
Rodage de la pompe	21
Consignes d'utilisation	21
Entretien	23
Rangement	24
Service	24
Dépannage	25
Glossaire des termes	29
Liste des pièces	31

Compresseur D'air



Avertissement! Lire Et Comprendre Toutes Les Mesures De Sécurité Dans Ce Manuel Avant D'utiliser L'unité. Le Défaut De Se Conformer Aux Instructions Dans Ce Manuel Peut Entraîner Des Blessures, Des Dommages À La Propriété Et/Ou L'annulation De Votre Garantie. Trademark Industries Inc. Ne Sera Responsable D'aucun Dommage En Raison Du Non-respect de ces instructions.

Compresseur D'air

Avant l'installation et l'utilisation, inspecter entièrement le compresseur d'air pour des dommages.

- Vérifier le réservoir, le moteur du compresseur et la pompe pour tout signe de dommages ou de corrosion.
- Vérifier entièrement les vis, les boulons, les écrous et les dispositifs de fixation pour s'assurer qu'ils sont fixés solidement en place.
- S'assurer que tous les raccords, le robinet de purge, la quincaillerie et la peinture sont exempts de rouille et de corrosion.
- S'assurer que tous les réglages du compresseur sont exacts avant le démarrage et l'utilisation.

Inspection D'outil Pneumatique

Avant de connecter et d'utiliser le compresseur, inspecter entièrement chaque outil pneumatique pour des dommages.

- Vérifier l'assemblage en entier de l'outil pour tout signe de dommages ou de corrosion.
- Vérifier les vis de montage, boulons, écrous et les dispositifs de fixation pour s'assurer qu'ils sont fixés solidement.
- S'assurer que tous les raccords, les embouts et la quincaillerie sont en bonne condition.
- S'assurer que les réglages de l'outil sont exacts avant la mise en marche et l'utilisation.

Compresseur D'air

DIRECTIVES DE SÉCURITÉ — DÉFINITIONS

Il est important de connaître et de comprendre les renseignements importants contenus dans ce manuel afin de protéger VOTRE SÉCURITÉ et ÉVITER DES PROBLÈMES D'ÉQUIPEMENT. Les symboles suivants vous aident à reconnaître ces renseignements. Lire le manuel et prêter attention à ces sections.



AVERTISSEMENT!

LES AVERTISSEMENTS INDIQUENT UNE CERTITUDE OU UNE FORTE POSSIBILITÉ DE BLESSURE OU LA MORT SI LES INSTRUCTIONS NE SONT PAS SUIVIES.



ATTENTION

LE MOT ATTENTION INDIQUE UNE POSSIBILITÉ DE DOMMAGES À L'ÉQUIPEMENT SI LES INSTRUCTIONS NE SONT PAS SUIVIES.



REMARQUE

LES REMARQUES DONNENT DES RENSEIGNEMENTS UTILES.



AVERTISSEMENT! LE FONCTIONNEMENT OU L'ENTRETIEN INCORRECT DE CE PRODUIT PEUT AVOIR COMME CONSÉQUENCES UNE BLESSURE GRAVE ET UN BRIS DE MATÉRIEL. LIRE ET COMPRENDRE TOUS LES AVERTISSEMENTS ET LES INSTRUCTIONS DE FONCTIONNEMENT AVANT D'UTILISER CET ÉQUIPEMENT. LORS DE L'UTILISATION D'OUTILS PNEUMATIQUES, DES MESURES DE SÉCURITÉ DEVRAIENT TOUJOURS ÊTRE SUIVIES POUR

Ces Consignes Importantes De Sécurité Doivent Être Sauvegardées!

Toutes ces consignes de sécurité doivent être lues et comprises.
S'assurer de les conserver pour référence ultérieure.

MANUEL D'UTILISATION

Signal De Danger

Poussière



AVERTISSEMENT! LA POUSSIÈRE DE PONÇAGE MÉCANIQUE, DE SCIURE, DE PERÇAGE ET D'AUTRES ACTIVITÉS DE CONSTRUCTION CONTIENT DES PRODUITS CHIMIQUES CONNUS POUR CAUSER LE CANCER, DES ANOMALIES CONGÉNITALES OU D'AUTRES DOMMAGES À L'APPAREIL REPRODUCTEUR.

Ces produits chimiques peuvent inclure (mais ne sont pas limités à) ce qui suit :

- Plomb des peintures à base de plomb
- Silice cristalline des briques, ciment et autres produits de maçonnerie
- Arsenic et chrome du bois traité chimiquement

Les risques de ces expositions varient selon la fréquence de ce type de travail. Pour réduire votre exposition à ces produits chimiques : travailler dans un endroit bien aéré, et travailler avec de l'équipement de sécurité approuvé. Porter toujours les masques protecteurs ou respiratoires lors de l'utilisation de tels outils. Les mesures de sécurité doivent toujours être suivies lors de l'utilisation d'outils pneumatiques pour réduire le risque de blessure.

Éclatement :

La rouille peut affaiblir le réservoir; évacuer l'eau condensée du réservoir après chaque utilisation pour réduire la rouille. Si une fuite est détectée dans le réservoir, remplacer le réservoir immédiatement. Ne pas souder, percer ou modifier le réservoir d'air comprimé de ce compresseur. La soudure ou les modifications sur le réservoir d'air comprimé peuvent endommager gravement la résistance du réservoir et causer une situation susceptible d'être extrêmement dangereuse. La soudure ou la modification du réservoir de n'importe quelle façon annulera la garantie.

Vérifier la capacité maximale de pression du fabricant pour les outils pneumatiques et accessoires. La pression de sortie du compresseur doit être réglée pour ne pas dépasser la pression maximale de l'outil. Libérer toute pression du tuyau avant d'attacher ou d'enlever des accessoires.

Ne pas déplacer le manocontact ou la soupape de sécurité pour aucune raison. Le faire annulerait toutes les garanties. Ils ont été pré-réglés à l'usine pour le maximum de pression de cette unité. Une blessure et/ou un dommage matériel peuvent survenir si le manocontact ou les soupapes de sécurité sont déplacés.

Ne pas utiliser de plastique ou de tuyau en PVC pour de l'air comprimé. Utiliser uniquement du tuyau et des raccords en acier galvanisé pour les lignes de distribution de l'air comprimé.

MANUEL D'UTILISATION

Signal De Danger

RISQUE DE BLESSURE AUX YEUX OU À LA TÊTE

Ce qui pourrait se produire :

- L'équipement actionné à l'air comprimé et les outils pneumatiques peuvent propulser les matériaux tels que les dispositifs de fixation, les particules mécaniques, la sciure de bois et autres débris à grande vitesse, ce qui pourrait entraîner de graves blessures aux yeux.
- L'air comprimé peut être dangereux. Le flux d'air peut causer des blessures à des tissus mous tels que les yeux, les oreilles, etc. Les particules propulsées par le flux peuvent occasionner des blessures.
- Les accessoires des outils peuvent se desserrer ou se briser et se détacher, projetant des particules vers l'utilisateur et vers d'autres personnes dans la zone de travail.

Comment l'éviter :

- Toujours porter des lunettes de sécurité approuvées Z87.1 et homologuées ANSI avec écrans protecteurs latéraux.
- Ne jamais laisser l'outil en marche sans surveillance. Débrancher le tuyau d'air comprimé quand l'outil n'est pas utilisé.
- Pour une protection supplémentaire, utiliser un protecteur facial approuvé en plus des lunettes de sécurité.
- S'assurer que tous les accessoires sont solidement assemblés.
- Ne jamais pointer le gicleur ou le pulvérisateur vers une personne ou toute partie du corps.
- L'équipement peut causer une blessure grave si la pulvérisation pénètre dans la peau.

MANUEL D'UTILISATION

Signal De Danger

RISQUE D'INCENDIE OU D'EXPLOSION



Ce qui pourrait se produire :

- Les outils abrasifs tels que les ponceuses et les meuleuses, les outils rotatifs tels que les perceuses, et les outils d'impacts comme les cloueuses, agrafeuses, clés, marteaux et scies alternatives peuvent générer des étincelles pouvant enflammer certains matériaux.
- Il est normal que le moteur du compresseur et le manocontact produisent des étincelles tout en fonctionnant. Si les étincelles entrent en contact avec des vapeurs d'essence ou d'autres solvants, elles peuvent s'enflammer et provoquer un incendie ou une explosion.
- Un dépassement de la pression nominale maximale des outils ou des accessoires peut provoquer une explosion, entraînant de sérieuses blessures.

Comment l'éviter :

- Ne jamais faire fonctionner les outils pneumatiques près de substances inflammables comme l'essence, les solvants de nettoyage, etc.
- Travailler dans un endroit propre et bien aéré, exempt de matériaux combustibles.
- Ne jamais utiliser d'oxygène, de dioxyde de carbone ou autres gaz mis en bouteille comme source d'énergie pour les outils pneumatiques.
- Utiliser l'air comprimé réglé à la pression maximale égale ou inférieure à la pression nominale de tout accessoire.
- Ne jamais brancher à une source d'air pouvant dépasser 90 psi.
- Toujours vérifier avant d'utiliser l'outil que la source d'air a été ajustée à la plage des pressions d'air nominales.
- Ne jamais pulvériser des liquides inflammables dans une zone confinée. Ne pas pulvériser là où des étincelles ou des flammes sont présentes.
- Ne pas fumer lors de la pulvérisation.
- Garder le compresseur aussi loin que possible de la zone de pulvérisation.

MANUEL D'UTILISATION

Signal De Danger

RISQUE DE PERTE AUDITIVE



Ce qui pourrait se produire :

- L'exposition à long terme au bruit produit par le fonctionnement d'outils pneumatiques peut mener à une perte auditive permanente.

Comment l'éviter :

- Toujours porter une protection de l'ouïe S3.19 homologuée ANSI lors de l'utilisation d'un compresseur.

RISQUE RESPIRATOIRE

Ce qui pourrait se produire :

- Les outils abrasifs comme les ponceuses et meuleuses et les outils à tronçonner produisent de la poussière et des matériaux abrasifs qui peuvent pénétrer dans les poumons et les voies respiratoires.
- Certains matériaux comme les adhésifs et le goudron contiennent des produits chimiques dont les vapeurs pourraient causer un problème respiratoire. Veuillez lire toutes les instructions afin de vous assurer d'une bonne protection avec votre masque respiratoire.
- Toujours travailler dans un endroit propre, sec et bien aéré.
- Ne jamais respirer directement de l'air comprimé produit par un compresseur. Ceci est nuisible à la respiration.
- S'assurer de lire toutes les étiquettes et de suivre les consignes de sécurité lors de la pulvérisation des peintures et matériaux toxiques.

Comment l'éviter :

- Toujours porter une protection de l'ouïe S3.19 homologuée ANSI lors de l'utilisation d'un compresseur.

MANUEL D'UTILISATION

Signal De Danger

RISQUE DE BLESSURES

Ce qui pourrait se produire :

- Les outils laissés sans surveillance ou avec les tuyaux d'air attachés pourraient être mis en marche par des personnes non autorisées et leur causer des blessures ou causer des blessures aux autres.
- Les outils pneumatiques peuvent propulser les fixations ou autres matériaux dans toute la zone de travail.
- Une clé qui est laissée attachée à une pièce en rotation de l'outil augmente le risque de blessures.
- L'utilisation de buses de gonflage pour les applications de dépolvoisierage peut causer de graves blessures.
- Les outils pneumatiques peuvent être activés par accident pendant l'entretien ou les changements d'outil.
- Les outils pneumatiques peuvent déplacer la pièce de travail avec laquelle ils sont en contact, entraînant des blessures.
- La perte de contrôle de l'outil peut mener à une blessure et/ou blesser les autres.
- Les outils de mauvaise qualité, les outils non appropriés ou endommagés tels que les meules, burins, douilles, clouieuses, agrafeuses, etc., peuvent s'envoler pendant le fonctionnement, propulsant des particules dans la zone de travail et causant de graves blessures.
- Les fixations pourraient ricocher ou être propulsées, entraînant de graves blessures ou des dommages matériels.
- Les outils et accessoires qui ne sont pas entretenus de façon appropriée peuvent causer de graves blessures.
- Il y a un risque d'éclatement si l'outil est endommagé.
- Le système de compresseur démarre automatiquement. Des blessures graves pourraient se produire lors de contact avec les pièces mobiles.

MANUEL D'UTILISATION

Signal De Danger

RISQUE DE BLESSURES

Comment l'éviter :

- Retirer le tuyau à air quand l'outil n'est pas utilisé et ranger l'outil dans un endroit en toute sécurité loin de la portée des enfants et/ou des utilisateurs non formés.
- Utiliser uniquement les pièces, fixations et accessoires recommandés par le fabricant.
- Maintenir la zone de travail propre, rangée et libre d'objets encombrants. Garder les enfants et les autres personnes éloignés lors de l'utilisation de l'outil.
- Garder l'endroit bien éclairé.
- Retirer les clés de réglage avant de mettre l'outil en marche.
- NE PAS UTILISER les buses de gonflage pour les applications de dépoussiérage.
- Retirer les tuyaux à air pour lubrifier et ajouter les accessoires de meulage, disques de ponçage, forets, etc.
- Ne jamais transporter l'outil par le tuyau.
- Éviter le démarrage involontaire.
- Le service de réparation devrait être effectué par un technicien accrédité uniquement.
- Ne jamais faire fonctionner l'outil sous l'influence de drogues ou d'alcool.
- Rester en position équilibrée en tout temps, ne pas essayer d'atteindre un objet inatteignable.
- Garder les poignées sèches, propres et libres d'huile et de graisse en tout temps.
- Rester alerte. Surveiller le travail en cours. Utiliser votre bon sens. En cas de fatigue, ne pas faire fonctionner l'outil.
- Ne jamais utiliser des outils qui ont été échappés, ont subi un choc ou sont endommagés.

MANUEL D'UTILISATION

Signal De Danger

RISQUE DE BLESSURES

How to prevent it:

- Utiliser des douilles à haute résistance aux chocs sur une clé à chocs.
- Ne pas appliquer de force excessive sur l'outil. Laisser l'outil effectuer le travail.
- Ne jamais pointer la décharge de l'outil vers soi ou vers d'autres personnes.
- Ne pas presser sur la gâchette à moins que le dispositif de sécurité par contact de l'outil soit bien appuyé contre la surface de travail.
- Ne jamais essayer d'enfoncer des fixations dans des surfaces dures comme l'acier, le béton ou la tuile lors de l'utilisation des outils pneumatiques.
- Utiliser uniquement les accessoires identifiés par le fabricant qui peuvent être utilisés avec des outils particuliers.
- Maintenir un outil de coupe aiguisé et propre. Un outil entretenu de façon appropriée avec des bords de coupe aiguisés réduit le risque de coincement et est plus facile à contrôler.
- Vérifier le mauvais alignement des pièces mobiles, le bris des pièces ou toute autre condition qui peut affecter le fonctionnement de l'outil. Si endommagé, faire réparer l'outil avant de l'utiliser.
- L'utilisation d'un accessoire non destiné à l'usage avec des outils particuliers augmente le risque de blessures.
- Toujours arrêter le compresseur et retirer la fiche du mur, purger toute pression du système avant de faire réparer le compresseur ou lorsque le compresseur n'est pas utilisé.
- Ne pas faire fonctionner l'appareil sans le revêtement protecteur.

MANUEL D'UTILISATION

Signal De Danger

RISQUE DE DÉCHARGE ÉLECTRIQUE

Ce qui pourrait se produire :

- L'utilisation d'outils pneumatiques pour fixer du câblage électrique peut occasionner l'électrocution ou la mort.
- Les connexions électriques incorrectes peuvent provoquer un incendie, une électrocution ou la mort.
- Si l'outil n'est pas équipé d'une surface de saisie isolée, le contact avec un fil « sous tension » rend les parties en métal exposées de l'outil également « sous tension », ce qui peut provoquer une électrocution ou la mort.
- Les dispositifs de fixation en contact avec le câblage électrique dissimulé peuvent provoquer une électrocution ou la mort.

Comment l'éviter :

- Ne jamais attacher de câblage électrique avec des outils sous tension.
- Éviter le contact corporel avec les surfaces mises à la terre comme les tuyaux, les radiateurs, les cuisinières et les réfrigérateurs. Il y a un risque accru de décharge électrique si votre corps est mis à la masse.
- Avant d'effectuer le travail, une vérification approfondie du lieu de travail est nécessaire à cause de la possibilité de câblage dissimulé.
- Un électricien agréé selon tous les codes locaux et nationaux doit installer tout câblage.
- Ne jamais utiliser un compresseur d'air électrique à l'extérieur quand il pleut ou sur une surface humide, car il peut causer une décharge électrique.

MANUEL D'UTILISATION

Signal De Danger

RISQUE D'ENTREMÊLEMENT

Ce qui pourrait se produire :

- Les outils comportant des éléments mobiles ou entraînant d'autres outils mobiles (meules, douilles, disques abrasifs, etc.) peuvent s'entremêler avec les cheveux, les vêtements, les bijoux et autres objets amples, provoquant des blessures.

Comment l'éviter :

- Ne jamais porter d'habit ample ou de vêtement ayant des bretelles ou attaches pendantes, etc. qui pourraient s'entremêler dans les pièces mobiles.
- Toujours enlever les bijoux, les montres, les identifications, les colliers, etc. qui peuvent se coincer dans l'outil.
- Garder les mains éloignées des pièces mobiles. Attacher ou couvrir les cheveux longs.

MANUEL D'UTILISATION

Signal De Danger

RISQUE D'ENTREMÊLEMENT

Ce qui pourrait se produire :

- Les outils qui coupent, cisailent, forent, agrafent, poinçonnent, etc. peuvent causer de graves blessures.
- La pompe et le manifold produisent des températures élevées.

Comment l'éviter :

- Garder les pièces mobiles de l'outil éloignées des mains et du corps.
- Ne pas toucher la pompe, le manifold ou le tube de transfert lors du fonctionnement de la pompe.

Les laisser refroidir avant la manipulation ou la réparation.

- Garder le compresseur éloigné des enfants en tout temps.

MANUEL D'UTILISATION

Spécification De Compresseur

Numéro de modèle	49051
CV de pointe	1/3
Capacité du réservoir en gallons/litres	2 Gallon
Tension/Intensité De Courant Électrique/Phase	120/2.3/1
Pression d'enclenchement	75
Pression d'arrêt	100



AVERTISSEMENT! LE CORDON D'ALIMENTATION DE CET APPAREIL CONTIENT DU PLOMB, UN PRODUIT CHIMIQUE RECONNU POUR CAUSER LE CANCER ET DES MALFORMATIONS CONGÉNITALES OU D'AUTRES DOMMAGES À L'APPAREIL REPRODUCTEUR. LAVR SES MAINS APRÈS MANIPULATION.

PRÉCAUTIONS

- Purger l'humidité du réservoir tous les jours afin de prévenir la corrosion.
- Tirer la soupape de surpression chaque jour afin d'assurer son bon fonctionnement et de dégager toute obstruction possible.
- Pour assurer une aération appropriée pour le refroidissement, le compresseur doit être placé à au moins 12 pouces (31 cm) du mur le plus près, dans un endroit bien aéré.
- Fixer le compresseur solidement et purger la pression du réservoir avant de les transporter.
- Protéger les tuyaux d'air et le cordon d'alimentation électrique contre les dommages et la perforation. Les inspecter hebdomadairement pour des endroits affaiblis ou usés, et remplacer si nécessaire.
- Afin de réduire les risques d'électrocution, ne pas mettre sous la pluie. Ranger à l'intérieur.
- Ne jamais faire fonctionner le compresseur si le cordon d'alimentation ou la fiche sont endommagés. Apporter l'équipement au centre de service autorisé le plus près de chez vous et un technicien spécialisé le remplacera.

MANUEL D'UTILISATION

LE COMPRESSEUR

Les composantes de base du compresseur d'air

Les composantes de base du compresseur d'air sont le moteur électrique, la pompe, le manostat et le réservoir.

Le moteur électrique (voir A) alimente la pompe.

Le moteur électrique est équipé d'une protection de surcharge et d'un enclenchement automatique.

Si le moteur surchauffe, la protection de surcharge l'éteindra afin de prévenir tout dommage au moteur.

Lorsque le moteur est suffisamment refroidi, il repartira automatiquement.

La pompe (voir B) comprime l'air et la décharge dans le réservoir.

Le réservoir (voir C) emmagasine l'air comprimé.

Le manostat (situé à l'intérieur) éteint le moteur et libère la pression d'air dans la pompe et dans le boyau de transfert lorsque la pression dans le réservoir atteint le niveau de pression d'arrêt. Au fur et à mesure que l'air est utilisé et que le niveau de pression dans le réservoir s'abaisse à la pression d'enclenchement, le manostat redémarre le moteur automatiquement, sans avertissement, et la pompe recommence à compresser de l'air.



MANUEL D'UTILISATION

LE COMPRESSEUR

ASSEMBLAGE DU COMPRESSEUR D'AIR

Déballer le compresseur d'air. Inspecter l'unité pour des dommages. Si l'unité a été endommagée lors du transport, communiquer avec le transporteur et compléter une demande de réclamation. Procéder immédiatement puisqu'il y a des délais prescrits pour les réclamations de dommages. La boîte devrait contenir les items suivants :

- Un compresseur d'air
- Un manuel
- Une poignée
- Des accessoires

1) Fixer la poignée en la vissant correctement.



MANUEL D'UTILISATION

LE COMPRESSEUR

CONTRÔLES DU COMPRESSEUR

L'interrupteur électrique : cet interrupteur met le compresseur sous tension/hors tension.

La soupape de surpression : Si le manostat n'arrête pas le moteur lorsque la pression atteint le niveau préétabli, cette soupape s'ouvrira automatiquement afin de prévenir une surpressurisation. Pour l'opérer manuellement, tirer l'anneau sur la soupape afin de purger la pression d'air du réservoir.

L'indicateur de pression du réservoir : cet indicateur mesure le niveau de pression de l'air emmagasiné dans le réservoir. Il n'est pas ajustable par l'opérateur et n'indique pas la pression de canalisation.

Le régulateur de pression : ce régulateur de pression d'air vous permet d'ajuster la pression dans la canalisation de l'outil que vous utilisez.



AVERTISSEMENT! NE JAMAIS EXCÉDER LA PRESSION D'OPÉRATION MAXIMUM DE L'OUTIL. FAITES TOURNER LE BOUTON DANS LE SENS HORAIRE POUR AUGMENTER LA PRESSION, ET DANS LE SENS ANTIHORAIRE POUR RÉDUIRE LA PRESSION.



MANUEL D'UTILISATION

LE COMPRESSEUR

EXIGENCES D'ALIMENTATION ÉLECTRIQUE

Le filage électrique

Se référer à l'étiquette du numéro de série du compresseur d'air pour voir les exigences de tension et d'intensité de courant électrique de l'unité. Utiliser un circuit dédié. Pour obtenir un meilleur rendement et un démarrage fiable, le compresseur d'air doit être branché à un circuit spécialisé, situé aussi près que possible de la boîte de fusibles ou du disjoncteur. Le compresseur utilisera la pleine capacité d'un circuit domestique typique de 15 ampères. Si d'autres appareils utilisent le même circuit, le compresseur peut faire des ratés au démarrage. L'utilisation d'un circuit de basse tension ou d'un circuit surchargé peut causer un démarrage lent qui entraînera le déclenchement du disjoncteur du système de protection de surcharge du moteur, principalement dans des conditions de température froide.



Remarque : il est recommandé d'avoir un disjoncteur. Si le compresseur d'air est branché à un circuit protégé par un fusible, utiliser des fusibles à deux cartouches à action retardée (Buss Fuestron de type « 1 » seulement).



Remarque : éviter l'utilisation de rallonges électriques. S'il est nécessaire d'utiliser une rallonge électrique, s'assurer d'utiliser une rallonge ayant les bonnes spécifications. Pour un rendement optimal, brancher le cordon d'alimentation directement dans une prise murale avec mise à la terre. N'utiliser une rallonge que si c'est absolument nécessaire. Utiliser plutôt un tuyau à air plus long afin d'atteindre l'endroit où l'air est requis. Si l'on doit absolument utiliser une rallonge, celle-ci ne devrait pas mesurer plus de 100 pieds et le calibre minimal du fil sera de 14 AWG.

MANUEL D'UTILISATION

LE COMPRESSEUR

EXIGENCES D'ALIMENTATION ÉLECTRIQUE

RALLONGE ÉLECTRIQUE

Utiliser le diagramme à droite pour déterminer la longueur de la rallonge électrique.

Utiliser toujours une rallonge électrique à 3 brins et munie d'une fiche à 3 broches avec mise à la terre et d'un réceptacle à 3 fentes qui accepte la prise du produit. Assurez-vous que votre rallonge électrique soit en bon état. Une rallonge de calibre trop faible entraînera une baisse de la tension de la ligne ainsi qu'une perte de puissance et une surchauffe. Plus le numéro du calibre est petit, plus la rallonge est de gros calibre nominal.

L'INTENSITÉ NOMINALE	LONGUEUR DE LA RALLONGE EN PIEDS			
(120 Volts)	25'	50'	100'	150'
10-12	16	14	10	8
12-14	16	12	10	8
14-16	16	12	10	8
16-18	14	12	8	8
18-20	14	12	8	8

Instructions de mise à la terre

Cet appareil est équipé d'un cordon électrique muni d'un câblage de mise à la terre et d'une prise de mise à la terre correspondante. La fiche doit être branchée dans une prise correctement installée et mise à la terre selon tous les codes et les ordonnances locaux.



AVERTISSEMENT! UNE MAUVAISE INSTALLATION DE LA FICHE DE MISE À LA TERRE PEUT ENTRAÎNER UN RISQUE D'ÉLECTROCUTION. SI UNE RÉPARATION OU LE REMPLACEMENT DU CORDON OU DE LA FICHE EST NÉCESSAIRE, NE PAS BRANCHER LE FIL DE MISE À LA TERRE À LA LAME PLATE DE LA FICHE. L'ISOLANT DES FILS MUNI D'UNE SURFACE EXTERNE QUI EST VERTE, AVEC OU SANS RAYURES JAUNES, EST LE FIL DE MISE À LA TERRE.

Cet appareil ne peut être utilisé qu'avec un circuit de 110 volts nominaux. Une prise électrique a la même configuration que la fiche. Aucun adaptateur ne devrait être utilisé avec cet appareil. Ne pas modifier la fiche pour qu'elle se branche à une prise sans mise à la terre ou à 2 réceptacles.

MANUEL D'UTILISATION

LE COMPRESSEUR

RODAGE DE LA POMPE

1. Mettre l'interrupteur d'alimentation en position HORS TENSION (OFF).
2. Ouvrir le robinet de purge. Tourner dans le sens antihoraire (desserré).
3. Mettre l'interrupteur électrique en position SOUS TENSION (ON).
4. Le compresseur démarrera.

LAISSER LE COMPRESSEUR FONCTIONNER PENDANT 15 MINUTES, AFIN DE RODER LES PIÈCES INTERNES.



ATTENTION : APRÈS ENVIRON 15 MINUTES, SI L'APPAREIL NE FONCTIONNE PAS CORRECTEMENT, L'ÉTEINDRE IMMÉDIATEMENT.

5. Après environ 15 minutes, mettre l'interrupteur électrique en position HORS TENSION (OFF).
6. Fermer le robinet de purge. Tourner dans le sens horaire.
7. Mettre l'interrupteur électrique en position SOUS TENSION (ON). Le compresseur démarrera et remplira le réservoir jusqu'à la pression d'arrêt et s'arrêtera.



REMARQUE : à mesure que l'air comprimé est utilisé, le manostat redémarrera le moteur automatiquement.



REMARQUE : lors du cycle de rodage initial, il y aura une faible odeur électrique alors que les balais du moteur se placent. Ceci est tout à fait normal pour les moteurs universels et durera environ 5 minutes.

CONSIGNES D'UTILISATION

Démarrage

1. Mettre l'interrupteur électrique en position HORS TENSION (OFF).
2. Fermer le robinet de purge. Tourner dans le sens horaire.
3. Brancher le cordon d'alimentation.
4. Mettre l'interrupteur électrique en position SOUS TENSION (ON).

MANUEL D'UTILISATION

LE COMPRESSEUR

CONSIGNES D'UTILISATION



AVERTISSEMENT : LE MOTEUR ÉLECTRIQUE ET LA POMPE PRODUISENT UNE CHALEUR ÉLEVÉE. AFIN DE PRÉVENIR LES BRÛLURES OU AUTRES BLESSURES, NE PAS TOUCHER AU COMPRESSEUR LORSQU'IL FONCTIONNE. LE LAISSER SE REFROIDIR AVANT DE LE MANIPULER OU D'EN FAIRE L'ENTRETIEN. GARDER LE COMPRESSEUR HORS DE PORTÉE DES ENFANTS EN TOUT TEMPS.



AVERTISSEMENT : POUR AJUSTER À UNE PRESSION MOINDRE, TOURNER LE BOUTON DANS LE SENS ANTIHORAIRE AFIN D'ATTEINDRE LA PRESSION DÉSIRÉE. NE PAS EXCÉDER LA PRESSION D'UTILISATION DE L'OUTIL OU DE L'ACCESSOIRE UTILISÉ.

5. Ajuster le régulateur à la pression d'utilisation de l'outil (ne jamais excéder 90 PSI).

Arrêt

1. Mettre l'interrupteur électrique en position HORS TENSION (OFF).
2. Débrancher le cordon d'alimentation.
3. Réduire la pression du réservoir à l'aide du tuyau de sortie. Vous pouvez aussi tirer sur l'anneau de la soupape de surpression et la laisser ouverte sur le réservoir.



AVERTISSEMENT : L'AIR ET L'HUMIDITÉ QUI S'ÉCHAPPENT PEUVENT PROPULSER DES DÉBRIS QUI PEUVENT CAUSER UNE BLESSURE À L'ŒIL. PORTER DES LUNETTES DE PROTECTION LORSQUE VOUS OPÉREZ LE ROBINET DE PURGE.

4. Incliner le compresseur (si nécessaire sur votre modèle) pour que le robinet de purge soit au bas du (des) réservoir(s). Puis ouvrir le robinet de purge et laisser l'humidité se purger du réservoir.

MANUEL D'UTILISATION

LE COMPRESSEUR ENTRETIEN



AVERTISSEMENT! AFIN D'ÉVITER LES BLESSURES AU PERSONNEL, TOUJOURS METTRE LE COMPRESSEUR HORS TENSION, LE DÉBRANCHER ET PURGER LA PRESSION D'AIR DU SYSTÈME AVANT D'ACCOMPLIR TOUT ENTRETIEN DU COMPRESSEUR D'AIR.

Relâcher la pression d'air du système et ouvrir le robinet de purge au bas du réservoir pour drainer.



Remarque : dans les régions froides, vidanger le réservoir après chaque utilisation afin de réduire les problèmes causés par le gel de l'eau de condensation.

Vérification de fuites

Vérifier que tous les raccordements sont à point. Une petite fuite à n'importe lequel des tuyaux ou des conduits réduira substantiellement le rendement de votre compresseur d'air. Si vous suspectez une fuite, vaporiser une petite quantité d'eau savonneuse à l'aide d'une bouteille à vaporiser. Si des bulles apparaissent, réparer ou remplacer la composante défectueuse. Ne pas serrer les connexions de façon excessive.

Rangement

Avant de ranger le compresseur pour une période prolongée, utiliser la buse pour nettoyer toute la poussière et les débris du compresseur en RANGEMENT. Débrancher le cordon d'alimentation et l'enrouler. Tirer sur la soupape de surpression afin de libérer toute la pression du réservoir. Couvrir entièrement l'unité pour la protéger de l'humidité et de la poussière.

Service

Effectuer l'entretien suivant aux intervalles indiqués ci-dessous :

- Opérer la soupape de surpression : après chaque usage
- Purger l'air du réservoir : après chaque usage

MANUEL D'UTILISATION

LE COMPRESSEUR

DÉPANNAGE



Remarque : des problèmes nécessitant le dépannage peuvent avoir des causes et des solutions similaires.

- Le robinet de purge du réservoir est ouvert. Fermer le robinet de purge.
Basse pression, pas suffisamment d'air ou le compresseur ne s'arrête pas.
- Une consommation excessive d'air sur une période prolongée.
Une baisse de la quantité d'air utilisée.
- Le compresseur n'a pas la capacité pour le travail à accomplir.
Vérifier les besoins d'alimentation en air des accessoires. Si elle excède le nombre pi^3/min et la pression spécifiés du compresseur, vous avez besoin d'un compresseur plus gros. La plupart des accessoires sont classés à 25 % du pi^3/min réel lorsqu'ils fonctionnent en régime continu.
- Une soupape de surpression obstruée.
L'enlever et la nettoyer ou la remplacer.
- Un tuyau d'air perforé.
Vérifier et le remplacer si nécessaire.
- Des fuites au réservoir.
Remplacer le réservoir.



AVERTISSEMENT : REMPLACER LE RÉSERVOIR IMMÉDIATEMENT. NE PAS ESSAYER DE LE RÉPARER

- Joints d'étanchéité brisés.
Remplacer tout joint d'étanchéité défectueux.
Remplacer les pièces usées et les réassembler avec de nouveaux joints d'étanchéité.

MANUEL D'UTILISATION

LE COMPRESSEUR

DÉPANNAGE

Démarrages et arrêts excessifs, tout en étant hors service.

- Fuite de raccord

Vérifier les raccords avec de l'eau savonneuse. Resserrer ou étancher les raccords qui fuient. NE PAS SERRER EXCESSIVEMENT.

Remplacer les pièces usées et les réassembler avec de nouveaux joints d'étanchéité

Remplacer toute pièce interne du régulateur.

- L'indicateur de pression régulière baisse lorsqu'un outil est en utilisation.

Ceci est normal dans certaines applications.

- Le compresseur n'a pas assez de capacité. Si la pression s'abaisse trop, ajuster le régulateur lors de l'utilisation des accessoires. Vérifier la quantité d'air requise de l'outil, elle peut être plus élevée que la pression pi3/min fournie par le compresseur. La plupart des accessoires sont classés à 25 % du pi3/min réel lorsqu'en fonctionnement continu.

- Le disjoncteur se déclenche (les fusibles sautent) trop souvent.

Bas voltage, consulter un électricien.

- La longueur du câblage est excessive. Fournir la puissance électrique suffisante.

Si vous utilisez une rallonge électrique, essayer à nouveau sans celle-ci.

- Conduits d'air bloqués.

Communiquer avec un centre de service autorisé.

- Une pression d'aspiration à la tête de la pompe.

Remplacer le clapet de non-retour. Remplacer le robinet de purge du manostat.

MANUEL D'UTILISATION

LE COMPRESSEUR

DÉPANNAGE

- Surchauffe.

Mauvaise ventilation.

Déplacer le compresseur dans un endroit où l'air est frais, sec et circule bien.

- La surface de refroidissement encrassée.

Nettoyer rigoureusement toutes les surfaces de refroidissement de la pompe.

- Soupape qui fuit.

Remplacer les pièces usées et réassembler avec de nouveaux joints d'étanchéité.

- Le moteur cale.

Une tension basse.

Fournir la puissance électrique suffisante.

- Un robinet de purge du manostat défectueux.

Remplacer le robinet de purge du manostat.

- La soupape de surpression s'ouvre.

La pression du réservoir excède la pression normale de fonctionnement.

Remplacer le manostat.

- Le moteur ne démarre pas.

La pression du réservoir excède la limite du manostat.

Le moteur démarrera lorsque la pression du réservoir baissera sous la pression d'enclenchement du réservoir.

- La protection de surcharge du moteur s'est déclenchée.

Laisser refroidir le moteur et l'interrupteur de surcharge se réamorcera automatiquement.

Ceci peut prendre plusieurs minutes.

MANUEL D'UTILISATION

LE COMPRESSEUR

DÉPANNAGE

- Le moteur ne démarre pas.
Un fusible sauté ou un disjoncteur déclenché.
Remplacer le fusible sauté ou réamorcer le disjoncteur.
Ne pas utiliser un fusible ou un disjoncteur de classe plus élevée que celui spécifié pour votre circuit.
Vérifier pour une basse tension et la bonne capacité de la rallonge électrique. Débrancher les autres appareils du circuit. Faire fonctionner le compresseur sur une prise spécialisée et dédiée.
- Le clapet de non-retour est bloqué en position ouverte.
L'enlever, le nettoyer ou le remplacer.
- Si le robinet de purge ne s'ouvre pas.
Remplacer le robinet de purge.
- Mauvais calibre pour le fil de la rallonge électrique.
Trouver une rallonge électrique ayant le bon calibre et la bonne longueur.
- Une vaporisation de peinture sur des pièces internes du moteur.
Apporter l'appareil à un centre de service pour réparation.
Ne pas faire fonctionner le compresseur dans une aire de peinture au pistolet.
- Un moteur possiblement défectueux.
Apporter l'appareil à un centre de service pour inspection et réparation.

MANUEL D'UTILISATION

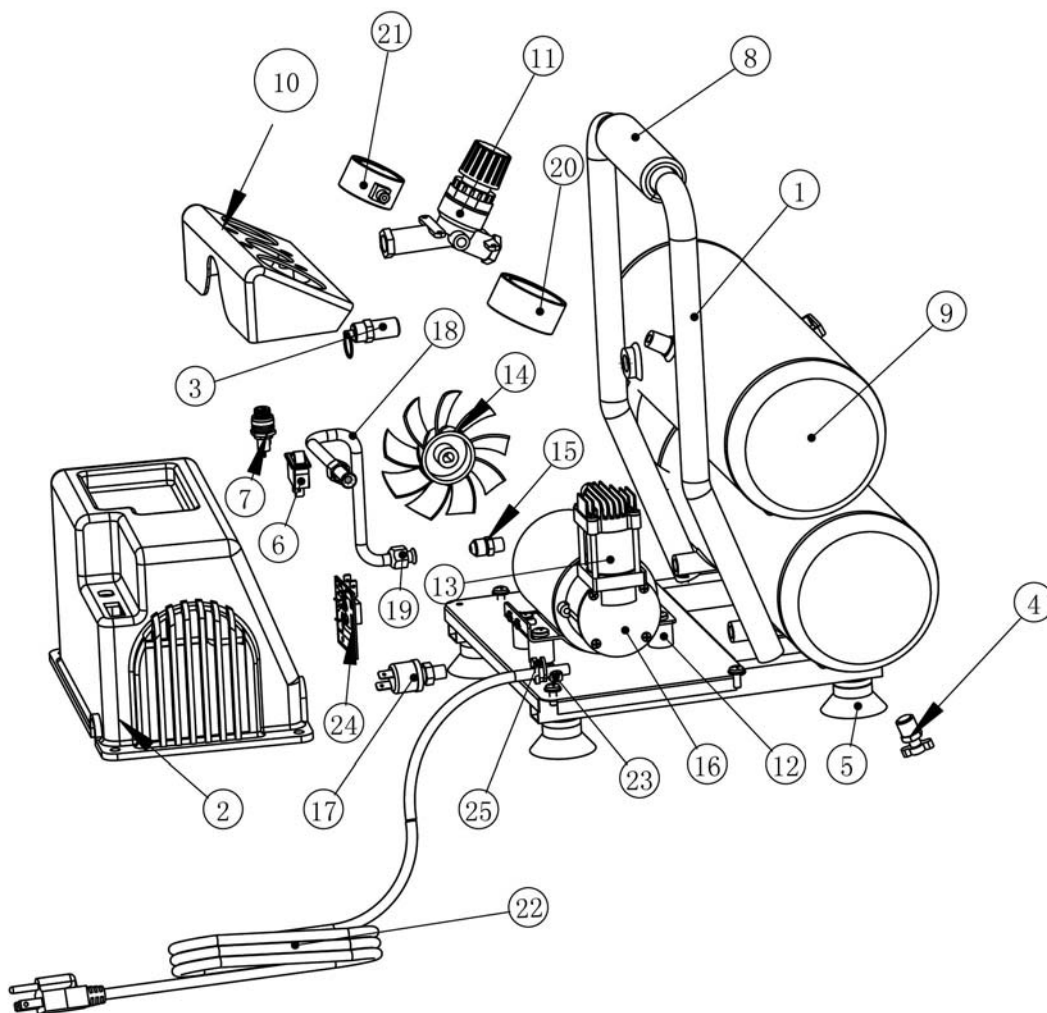
LE COMPRESSEUR DÉPANNAGE

GLOSSAIRE DE TERMES

- PCM : pied cube par minute; une unité de mesure de l'écoulement d'air.
- Psi : livres par pouce carré; une unité de mesure de la pression d'air.
- Pression d'enclenchement (kick-in pressure) : un bas niveau de pression établi en usine qui enclenche le compresseur à pressuriser le réservoir à un niveau plus élevé de pression.
- Pression d'arrêt (kick-out pressure) : un niveau de haute pression établi en usine qui empêche le compresseur d'accroître la pression du réservoir au-delà d'un certain niveau.
- Bien aéré : une façon de fournir de l'air frais pour évacuer les vapeurs et les échappements dangereux.
- ASME (American Society of Mechanical Engineers) : indique que les composantes sont fabriquées, testées et inspectées pour utilisation exclusive du compresseur d'air.
- CSA (Canadian Standards Association) : indique que les produits qui ont cette annotation ont été fabriqués, testés et inspectés selon des normes établies par le CSA. Ces produits sont aussi conformes au U.L standard 1450.

MANUEL D'UTILISATION

Liste des pièces



1	Poignée	1	14	Ventilateur	1
2	Couvercle	1	15	Clapet de non-retour	2
3	Soupape de sécurité	1	16	Couvercle de la pompe	1
4	Soupape de vidange	1	17	Manostat	1
5	Pied en caoutchouc	4	18	Tuyau d'air	1
6	Interrupteur électrique	1	19	Écrou 08	2
7	Fusible	1	20	Soupape de surpressurisation	1
8	Poignée	1	21	Soupape de surpressurisation	1
9	Réservoir	1	22	Cordon d'alimentation	1
10	Panneau de contrôle	1	23	Attache-fils	1
11	Régulateur	1	24	Panneau de contrôle	1
12	Coussin en caoutchouc	1	25	Attache-fils	1
13	Pompe	1			